

The Liner Company

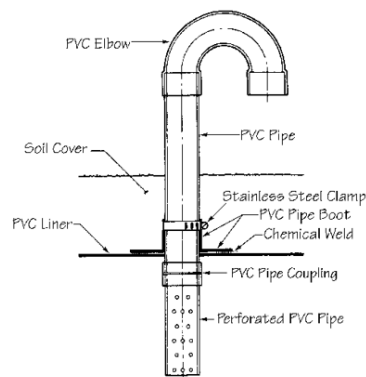
1-800-OK-LINER



231-943-2266

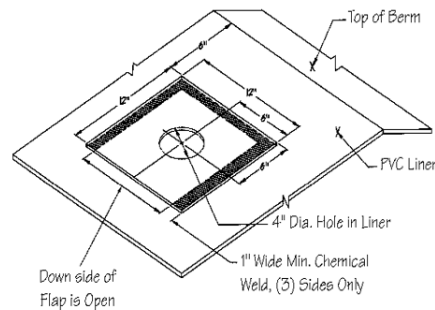


Gas Vent SPECIFICATIONS



Landfill Cover Gas Vent

Landfill covers require venting to relieve gas pressure under the liner. This detail shows a typical gas vent utilizing perforated and solid PVC pipe.



Flap Vent

Flap vents are installed at the crest of the slope to allow for venting of air or gas trapped under the liner during the covering operation. Once the liner has been completely covered, these vents serve no further purpose.

These data are based on tests believed to be reliable. However, these are laboratory tests that may not simulate actual use conditions. They are provided for your informational purposes only. No warranty, express or implied, including any other further warranty of fitness for a particular purpose or merchantability, is made by this promotional literature.